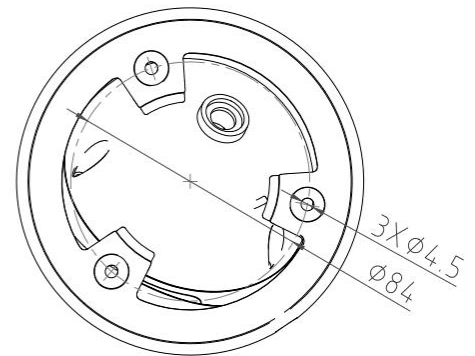
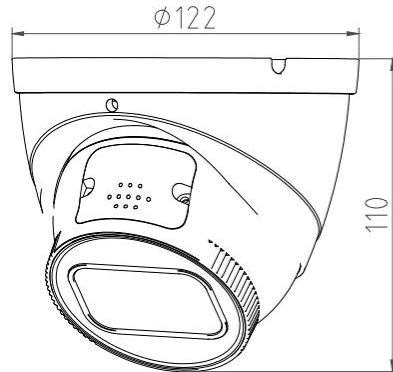


8MP Smart Dual Light Active Deterrence Network Dome Camera



- 8MP 1/2.7" CMOS Image Sensor, Excellent Low Luminance Performance & High Definition of images.
- Outputs Max. 8MP: 3840*2160@25/30fps, H.265 Code, High Compression Rate, Ultra Low Bit Rate.
- 2.7~13.5mm 5X Motorized Lens, IR Light: Max. 40M, Warm Light: Max. 30M, **Red and Blue Warning Light**.
- ROI, SMART H.264 +/H.265+, AI H.264/H.265, Flexible Coding, Applicable to various bandwidth and storage environments.
- Rotation Mode, WDR, 3DNR, HLC, BLC, Digital Watermarking, Applicable to various monitoring scenes.
- Perimeter Protection: Intrusion, Tripwire (Support the classification & Detection of Human, Vehicle & Non-Motor).
- Abnormality Detection: Smart Motion Detection, Face Detection, People Counting.

Model No.	CB-ET807P-AZ
Camera	
Image Sensor	1/2.7" Progressive CMOS Image Sensor
Max. Resolution	8MP, 3840(H)*2160(V)
RAM & Flash	256MB RAM / 128MB ROM
Minimum Illumination	0.0006Lux(Color), 0.0003Lux (B/W), 0Lux (IR on)
Shutter Speed	1/3 s to 1/100, 000 s
Day / Night	Auto, Dual IR-Cut Filter, D/N Sensitive Switch / Mixed Mode Switch
Illumination Distance Range	IR Light: Max. 40M, Warm Light: Max. 30M, Red and Blue Warning Light
Illuminator Control	Auto / Manual
Smart IR	Supported
S/N Ratio	≥ 56dB
Angle Adjustment	Pan: 0° to 360°, Tilt: 0° to 90°, Rotate: 0° to 360°
Lens	
Lens	2.7-13.5mm Motorized Auto Focus Lens
Max. Aperture Ratio	F No. 1.6 (W) ~ 3.3(T)
Min. Object Distance	0.3M~INF(W), 1.5M~INF(T)
Lens Mount	M12
Max. Aperture	F1.6
Iris Type	Auto Iris
Focal Length & FOV	

Lens	2.7~13.5mm				
Angle of View (H)	109° ~ 30°				
Angle of View (V)	56° ~ 17°				
Angle of View (O)	131° ~ 35°				
DORI					
DORI Distance	Lens (mm)	Detect (m)	Observe (m)	Recognize (m)	Identify (m)
	2.7mm	44.1	17.7	8.8	4.4
	3.6mm	58.9	23.6	11.8	5.9
	6.0mm	82.8	33.1	16.6	8.3
	13.5mm	144.8	57.9	29.0	14.5
Intelligence					
Face Detection	Supported				
Smart Motion Detection	Supported				
Perimeter Protection	Intrusion, Tripwire (support the classification of Human and Vehicle & Non Motor)				
Video Metadata	N/A				
People Counting	Supported				
Heat Map	Supported				
AI Search	Work together with NVR				
Video					
Max Resolution	8MP: 3840*2160P@25/30fps				
Stream Capability	3 Streams				
Video Frame Rate	Main Stream: 8MP@1fps~25/30fps, Sub Stream: D1@1fps~25/30fps, Third Stream: 720P@1fps~25/30fps				
Video Compression	H.265, H.264H, H.264M, H.264B				
Smart Compression	H.265+, H.264H+, H.264M+, H.264B+,				
Bit Rate Control	CBR / VBR				
Video Bit Rate	H.265: 3 Kbps~20480 Kbps / H.264: 3 Kbps~20480 Kbps				
U-code	Supported				
Scalable Video Coding (SVC)	H.265 and H.264 Encoding (H.265+ (Ultra H.265)/H.265/H.264+/H.264/MJPEG)				
OSD	Minimum 4 OSDs				
Day/Night	Color / B/W				
BLC	BLC Supported				
HLC	HLC Supported				
FLC	FLC Supported				
WDR	True WDR ≥ 140dB				
White Balance	Auto / Lock White Balance / Fluorescent Lamp / Filament Lamp / Fluorescent Lamp / HM				
Gain Control	Auto / Manual				
Noise Reduction	3D NR (Auto / Manual)				
Motion Detection	OFF/ON (4 Areas, Rectangular)				
Image Rotation	Normal / Vertical / Horizontal / 0° / 90° / 180°				
Mirror	Supported				

Privacy Mask	Up to 4 Areas (programmable polygon privacy masks)
ROI	Support 8 Areas
Corridor Mode	Supported
Corridor Pattern	Standard / Gorgeous
Image Control	Brightness, Contrast, Saturation, Sharpness
Gain Control	Auto
Penetrating Fog	Supported
Vernier Focusing	Supported
All Electric Rectifier	Supported
Audio	
Audio Encoding	G.711a, G.711Mu, G.726, G.726ASF
Audio Bite Rate	Minimum 64 Kbps or Higher
Reduce Echo	Supported
Noise Filtering	Supported
Built-in MIC	Supported
Built-in Speaker	Supported
Two-way Audio	Supported (Built in Microphone & Speaker)
Other Audio Function	Support Auto Gain, Audio Input/Output Volume
Alarm & Event	
Arming/Disarming	N/A
Sound Alarm	Supported
Light Alarm	N/A
Alarm Event	Disconnection; IP Conflict; No SD Card; Capacity Warning; SD Card Error
Linkage	FTP / Memory Card E-mail, Notify Surveillance Center, Trigger Recording, Trigger Capture
Snapshot	Support JPEG Format
Security Features	Password, Watermark
OSD	Channel Name, Date & Time, Image Overlay
Storage	Support FTP Storage
Network	
LAN Ports	RJ45*1, 10M /100M Base-T
Network Protocol	DHCP, DNS, DDNS, FTP, HTTP, HTTPS, ICMP, IGMP, IPv4, IPv6, NTP, ONVIF, P2P, PPPOE, QoS, RTP, RTSP, SMTP, SNMP, TCP/IP, UDP, UPnP, 802.1X
Protocol	ONVIF / CGI / P2P
Simultaneous Live View	Up to 16 channels
API	Open Network Video Interface Profile S, G, T, SDK
User/Host	20 User (Total bandwidth: 80M), 2 user levels: administrator and user
Security	Password Protection, Complicated Password, HTTPS Encryption, 802. 1X Authentication (EAP-MD5), Watermark, Basic and Digest, Authentication for HTTP/HTTPS, WSSE and Digest Authentication for Open Network Video Interface, RTP/RTSP over HTTPS, Security Audit log, TLS 1.2, TLS 1.3, Host Authentication (MAC address)
Video Management Software	IE / Web / PC Client Software / App
Mobile Client	iOS, Android

Web Browser	Plug-in required live view: IE 10+, Plug-in free live view: Chrome 57.0+, Firefox 52.0+, Local service: Chrome 57.0+, Firefox 52.0+
Smooth Streaming	Yes
Interface	
Audio Input / Output	Optional
Alarm Input / Output	Optional
Storage	Support Max. 256G Micro SD / SDHC / SDXC(FAT32), FTP
General Parameter	
Case	Metal for Indoor & Outdoor
Protection Level	IP67
Temp. / Humidity	-30°C to +60°C (-22°F to +140°F)/Less than 95% RH
Storage Conditions	-40°C to +60°C (-40°F to +140°F)
Power Consumption	Basic: 2.5W, Max. 6.2W
Power Supply	DC12V 2A / POE (IEEE802.3af)
Lightning Protection	Power, Network, POE all Lightning Protection, Rating Surge Voltage: 6KV(10/700μs)
Dimension / Weight	122(L)*110(H)mm / 0.7KG
Approvals	
Certification	CE / FCC / RoHS
ISO	ISO9001